



Stainless steel reels (open)

Series 913 Guide



Edition A - 2021-03-11

CEJN AB
Rattvägen 1
S-541 25 Skövde
Sweden
www.cejn.com



Want to learn more about the stainless steel reels (open)
Go to www.cejn.com, products, product categories and hose & cable reels.

EC Declaration of Conformity – We declare that the products identified below:
Hose Reel Type 19 913 1XXX conform to: 2006/42/EG (EN ISO 12100:2010)

1. Safety



WARNING!

The products are intended for use by knowledgeable persons having the technical skill necessary to evaluate their suitability for specific applications. Read all safety instructions carefully before attempting to install, operate, or maintain this product. Only qualified personnel should undertake the installation, commissioning and maintenance of this product. Before carrying out maintenance or repair work, always disconnect the hose reel from the media. If the reel must be disassembled, release spring tension before further dismantling.

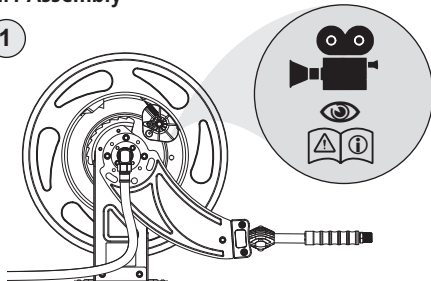


2. Installation

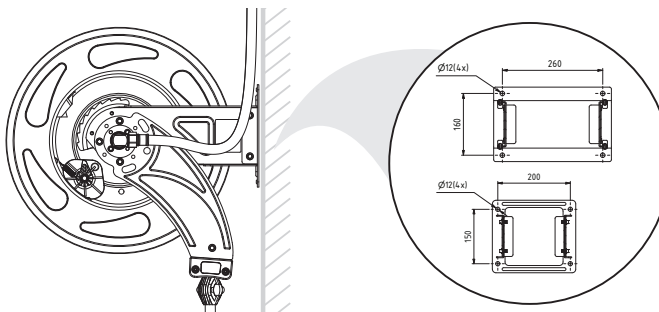
For more detailed information regarding installing and operating of the reel, see our instructions at www.cejn.com, products, product categories and hose & cable reels. The hose reel has to be wall mounted at a minimum height of the floor of 2.50 m in order to prevent accidents during work operations.

2.1 Assembly

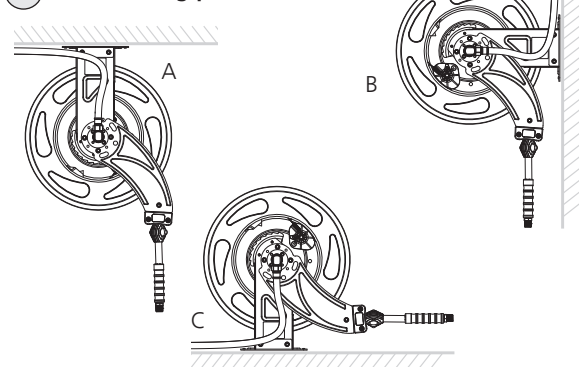
1



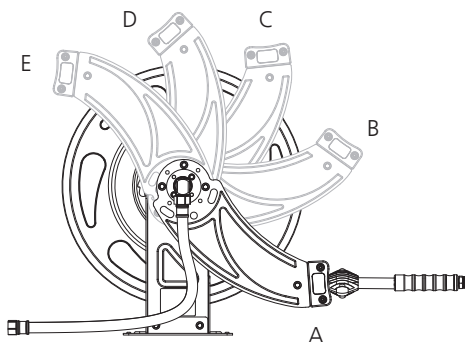
2



3 Mounting-positions

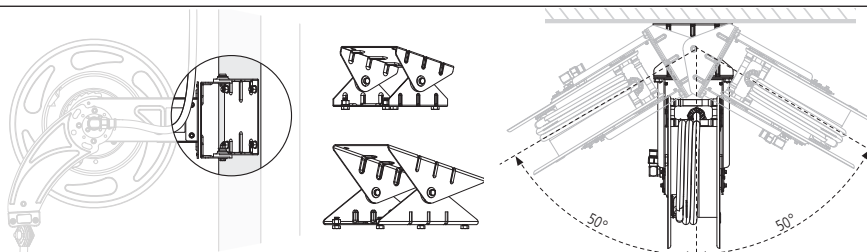


4 Arm-positions



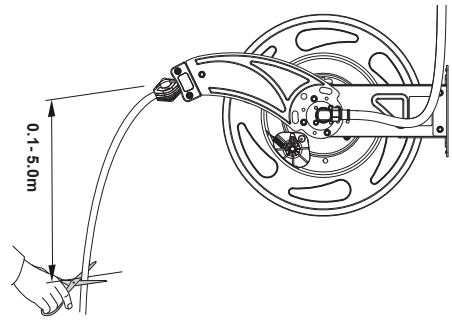
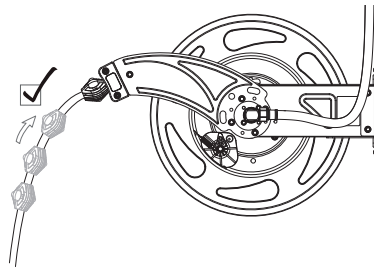
2.2 Swing bracket

Swing brackets are available as an accessory, standard reel are fixed 90 degrees from the wall and the swing bracket allow the reel to swing +50 degrees.



2.3 Hose length

The stop ball is allowed to be moved inwards. The spring force can be adjusted. See instructions for further information at www.cejn.com, products, product categories and hose & cable reels.

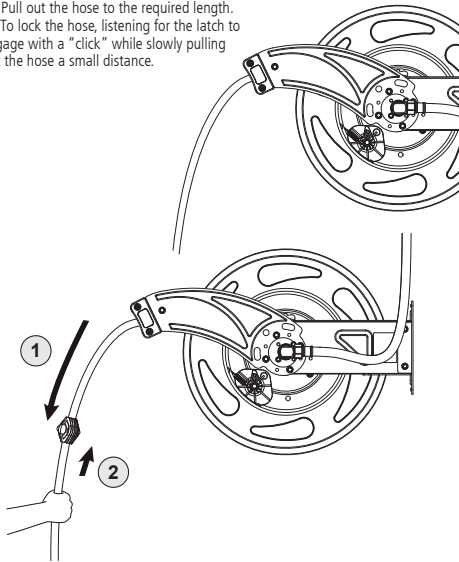


2.4 Connect the reel to the air/water source at the correct working pressure. Read more at www.cejn.com, products, product categories and hose & cable reels.

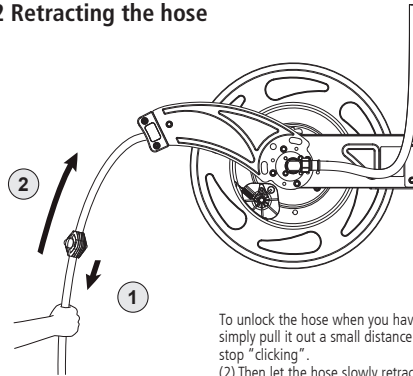
3. Operation

3.1 Pulling out the hose

(1) Pull out the hose to the required length.
(2) To lock the hose, listening for the latch to engage with a "click" while slowly pulling out the hose a small distance.



3.2 Retracting the hose



To unlock the hose when you have finished using it, (1) simply pull it out a small distance and listen for the latch to stop "clicking".
(2) Then let the hose slowly retract back into the housing. Make sure to always walk the hose back for safe manners.

3.3 The hose cannot be fully retracted

If the hose gets jammed when retracted, simply pull out the hose to its full length and let it retract and guide it side to side. If you experience further problems or other malfunctions, contact your local distributor for guidance. See instructions at www.cejn.com, products, product categories and hose & cable reels for more guidance.

4. Maintenance



- Carry out regular checks that there are no problems with the hose and external parts. For detailed guidance of how to replace the hose, please see instructions at www.cejn.com, products, product categories and hose & cable reels.
- Any damage or defects must be repaired immediately.
- Repairs and maintenance must be carried out by a qualified technician only.
- Only original spare parts must be used!

5. Disposal/Recycling



IMPORTANT!
Help us to take care of the environment. When disposing of the hose reel, please do so in accordance with local environmental regulations.

6. Warranty

CEJN AB provides an 18-month warranty from the date of manufacture. Contact your retailer concerning warranty enquiries.

7. Spare parts

For safety reasons, only original spare parts must be used.

Marcus Allerbjerg
 Marcus Allerbjerg
 CEJN AB