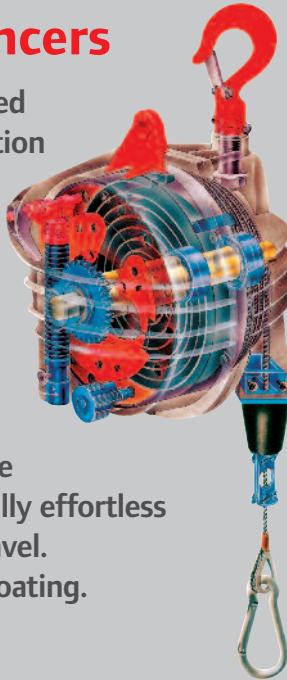


B Series Spring Balancers

B Series spring balancers are designed to increase productivity in any situation where repetitive or prompt vertical movement of fixed load is required. They compensate weight of your power tools or other manufacturing equipment and enable operator to lift or lower it with minimal effort.

Series BIDS, BHD and BSD(L) feature "Zero Gravity" effect allowing virtually effortless load repositioning all along cable travel. Experience the effect of your tool floating.

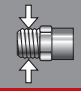



Spring Balancers

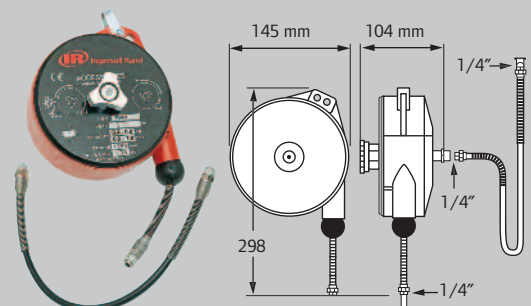
Balancers Product Information

Standard equipment / Series	BHR Series	BLD Series	BMD Series	BIDS Series	BHD Series	BSD(L) Series
Stainless steel cable and anti-friction cable guide	●	●	●	●	●	●
Auxiliary safety suspension	●	●	●	●	●	●
Adjustable stroke limiting device	●	●	●	●	●	●
Inert spring drum assembly	●	●	●	●	●	●
Adjustable capacity (by means of a worm screw for BIDS, BHD and BSD Series)	●	●	●	●	●	●
Rotary load hook	-	-	-	Option: OPTRI		
Automatic safety brake acting in case of spring breakage	-	-	●	●	●	●
Rotary upper suspension with safety hook on ball bearing	-	-	-	●	●	●
Locking device to block the load at any height	-	-	● / -	●	●	●
Tapered drum rotating on ball bearings for zero gravity effect	-	-	-	●	●	●
Optional floor control locking	-	-	-	-	Part no. BIL-7343	Part no. BIL-3224

BHR Hose Reel Balancers Series

Part no.		SWL (kg)	Lifting stroke (m)	 (kg)	Replacement parts:	
					Spring	Hose
BHR Series					Spring	Hose
BHR-8	1/4"	0.4 - 0.8	1.3	1.5	BIL-333	BIL-291
BHR-15	1/4"	0.7 - 1.5	1.3	1.5	BIL-341	BIL-291
BHR-25	1/4"	1.2 - 2.5	1.3	1.5	BIL-358	BIL-291

BIL-457 - replacement rubber stop.

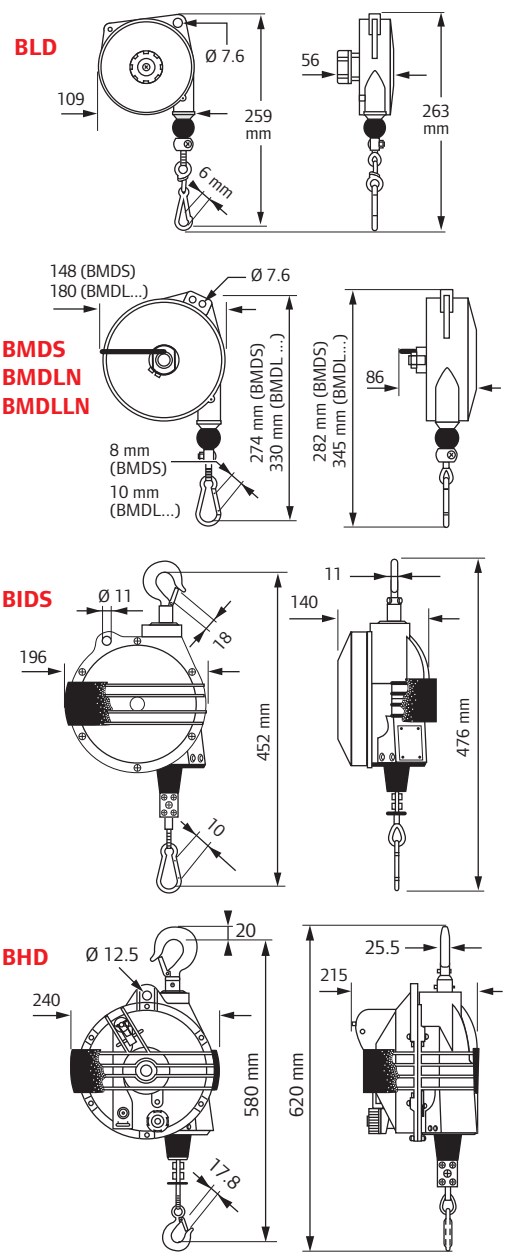


Spring Balancers

Light to Heavy-Duty Cable Balancers,
from 0.4 kg to 65 kg Capacity



Part no.	SWL (kg)	Max. stroke (m)	(kg)	Replacement parts:		
BLD Series – Light-Duty				Cable (2)	Latch	Spring
BLD-1	0.4 - 1.0	1.6	0.6	BIL-463	BIL-7133	BIL-131
BLD-2	1.0 - 2.0	1.6	0.6	BIL-463	BIL-7133	BIL-1206
BLD-3	2.0 - 3.0	1.6	0.7	BIL-463	BIL-7133	BIL-9887
BMD Series – Medium-Duty				Cable (2)	Latch	Spring
BMDS-2	1.0 - 2.5	2.0	2.0	BIL-0352	BIL-214	BIL-0345
BMDS-4	2.0 - 4.0	2.0	2.0	BIL-0352	BIL-214	BIL-3422
BMDS-6	4.0 - 6.0	2.0	2.3	BIL-0352	BIL-214	BIL-3430
BMDS-8	6.0 - 8.0	2.0	2.5	BIL-0352	BIL-214	BIL-3448
BMDLN-4	2.0 - 4.0	2.5	2.9	BIL-70253	BIL-20115	BIL-74065
BMDLN-6	4.0 - 6.0	2.5	3.2	BIL-70253	BIL-20115	BIL-74066
BMDLN-8	6.0 - 8.0	2.5	3.5	BIL-70253	BIL-20115	BIL-74067
BMDLN-10	8.0 - 10	2.5	3.7	BIL-70253	BIL-20115	BIL-74068
BMDLN-12	10.0 - 14	2.5	4.0	BIL-70253	BIL-20115	BIL-74069
BMDLLN-4 (1)	2.0 - 4.0	2.5	3.0	BIL-70253	BIL-20115	BIL-74070
BMDLLN-6 (1)	4.0 - 6.0	2.5	3.3	BIL-70253	BIL-20115	BIL-74071
BMDLLN-8 (1)	6.0 - 8.0	2.5	3.6	BIL-70253	BIL-20115	BIL-74072
BMDLLN-10 (1)	8.0 - 10	2.5	3.8	BIL-70253	BIL-20115	BIL-74073
BIDS Series – Intermediate-Duty				Cable (2)	Latch	Spring
BIDS-7	4.0 - 7.0	2.0	5.0	BIL-9999	BIL-20115	BIL-9993
BIDS-10	7.0 - 10	2.0	5.5	BIL-9999	BIL-20115	BIL-9994
BIDS-14	10 - 14	2.0	5.5	BIL-9999	BIL-20115	BIL-9995
BIDS-18	14 - 18	2.0	6.5	BIL-9999	BIL-20115	BIL-9996
BIDS-22	18 - 22	2.0	6.0	BIL-9999	BIL-20115	BIL-9997
BIDS-26	22 - 25	2.0	6.6	BIL-9999	BIL-20115	BIL-10019
BHD Series – Heavy-Duty				Cable with hook (2)	Drum	
BHD-15	10 - 15	2.0	10.3	BIL-3652	BIL-7527	
BHD-20	15 - 20	2.0	10.6	BIL-3652	BIL-7535	
BHD-25	20 - 25	2.0	11.2	BIL-3652	BIL-7543	
BHD-30	25 - 30	2.0	11.5	BIL-3652	BIL-7550	
BHD-35	30 - 35	2.0	11.8	BIL-3652	BIL-7568	
BHD-45	35 - 45	2.0	12.4	BIL-3652	BIL-7576	
BHD-55	45 - 55	2.0	12.5	BIL-3652	BIL-7584	
BHD-65	55 - 65	2.0	13.6	BIL-3652	BIL-7592	



(1) Locking type balancer: sharp pull on the wire rope will lock it in position allowing attached load to be manipulated freely – without weight compensation. Pulling again will unlock the wire rope and resume weight compensation.

(2) Cables supplied complete with hook (BHD), clamp & rubber stop – replacement rubber stop is BIL-402 for BMD, BIL-10012 for BIDS, or BIL-669 for BHD.

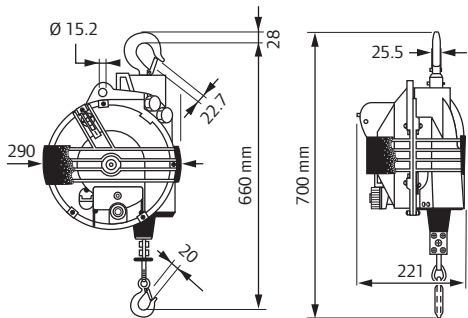


BSD-165

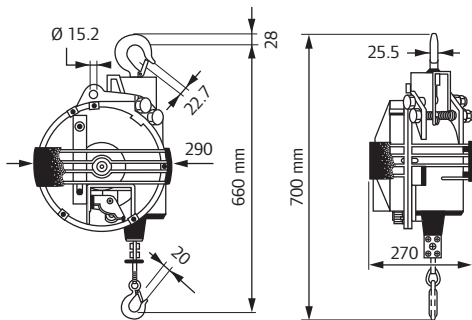
Super-Duty Cable Balancers, from 15 kg to 180 kg Capacity

Part no.	SWL (kg)	Max. stroke (m)	(kg)	Replacement parts:	
				Cable with hook	Drum
BSD & BSDL Series – Super-Duty					
BSD-20	15 - 20	2.5	19.0	BIL-3694	BIL-0301
BSD-30	20 - 30	2.5	19.8	BIL-3694	BIL-0309
BSD-40	30 - 40	2.5	20.8	BIL-3694	BIL-9949
BSD-50	40 - 50	2.5	23.9	BIL-3694	BIL-9907
BSD-60	50 - 60	2.5	25.4	BIL-3694	BIL-9919
BSD-70	60 - 70	2.5	26.8	BIL-3694	BIL-0012
BSD-80	70 - 80	2.5	27.8	BIL-3694	BIL-0020
BSD-90	80 - 90	2.5	28.8	BIL-3694	BIL-0046
BSD-100	90 - 100	2.5	35.6	BIL-3694	BIL-0046
BSD-120	100 - 120	2.5	38.8	BIL-3694	BIL-0285
BSD-140	120 - 140	2.5	41.8	BIL-3694	BIL-0293
BSD-150	130 - 150	2.5	44.5	BIL-3694	BIL-0145
BSD-165	150 - 165	2.5	48.2	BIL-3694	BIL-0152
BSDL-20	15 - 20	3.0	19.1	BIL-3751	BIL-9923
BSDL-25	20 - 25	3.0	19.9	BIL-3751	BIL-9931
BSDL-35	25 - 35	3.0	20.9	BIL-3751	BIL-9949
BSDL-45	35 - 45	3.0	23.8	BIL-3751	BIL-0053
BSDL-50	40 - 50	3.0	23.9	BIL-3751	BIL-0061
BSDL-60	50 - 60	3.0	25.3	BIL-3751	BIL-0079
BSDL-70	60 - 70	3.0	26.7	BIL-3751	BIL-0012
BSDL-80	70 - 80	3.0	28.0	BIL-3751	BIL-0020
BSDL-90	80 - 90	3.0	29.0	BIL-3751	BIL-0103
BSDL-100	90 - 100	3.0	36.8	BIL-3751	BIL-0111
BSDL-115	100 - 115	3.0	38.7	BIL-3751	BIL-0178
BSDL-130	115 - 130	3.0	39.9	BIL-3751	BIL-0186
BSDL-140	130 - 140	3.0	42.8	BIL-3751	BIL-0293
BSDL-150	140 - 150	3.0	45.6	BIL-3751	BIL-0145
BSDL-180	160 - 180	3.0	50.0	BIL-3751	BIL-0228

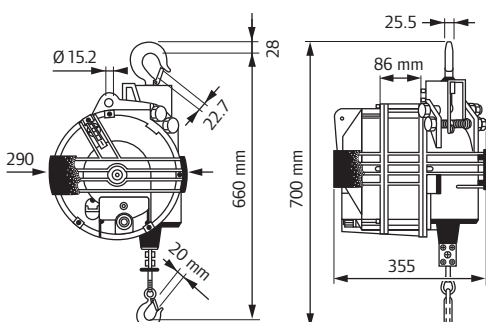
BSD-20 to BSD-60 and BSDL-20 to BSDL35



BSD-70 to BSD-100 and BSDL-45 to BSDL-100



BSD-120 to BSD-165 and BSDL-115 to BSDL-180



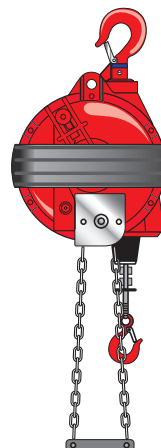
All cables come complete with hook (BIL-701), rubber stop (BIL-3124) and clamp.

Options & Accessories

Locking / unlocking device for control from the floor:

Part no. **BIL-7343** (for BHD Series).

Part no. **BIL-3224** (for BSD and BSDL Series)



For rotating bottom hook, please order Part no. **OPTRI** to install it on BIDS balancers.

For BHD and BSD(L) Series, amend balancer part number with "OPTRI"

