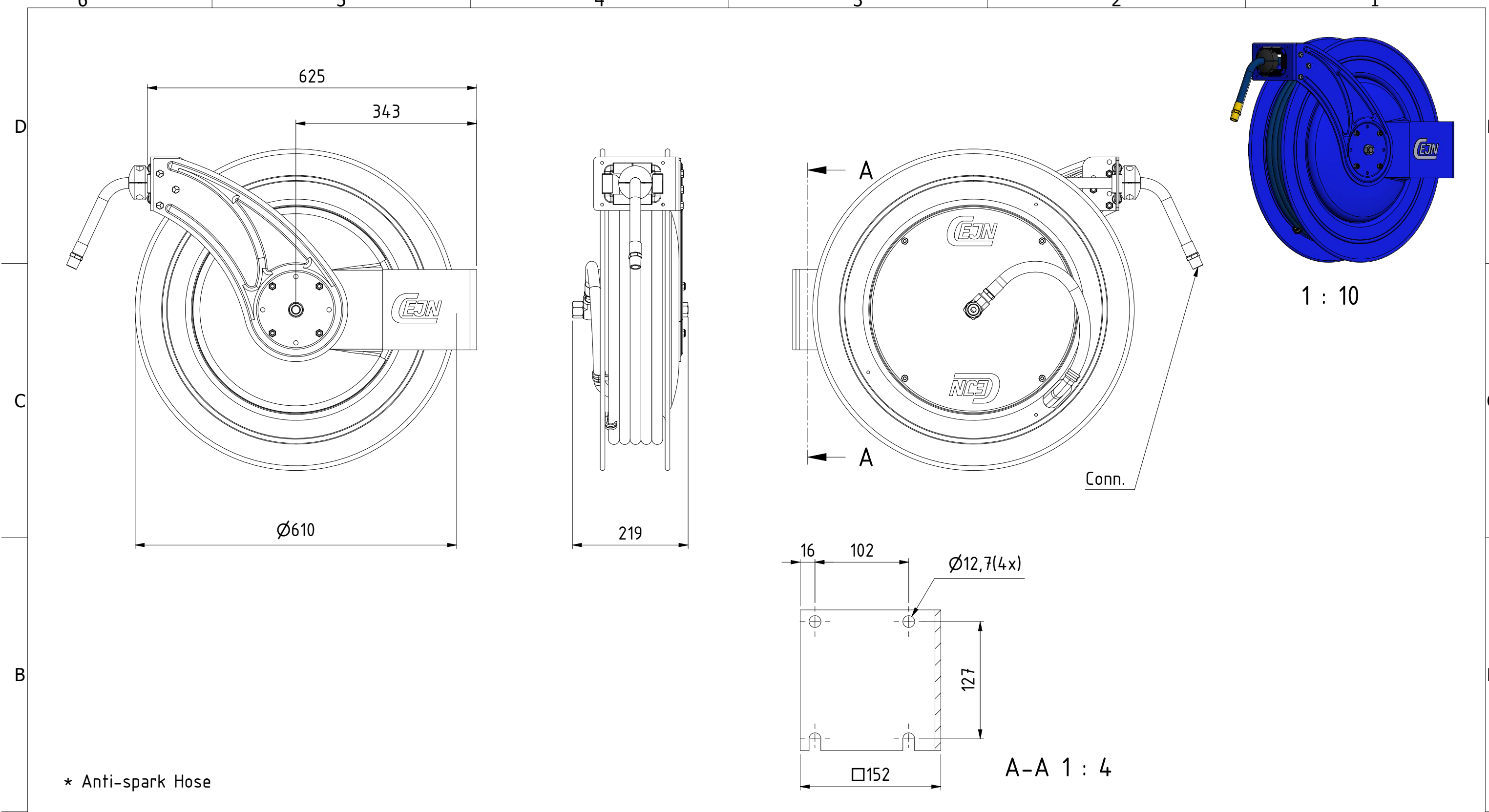


This document must not be copied, either completely or in part, without permission. Any infringement will have legal consequences ©



\* Anti-spark Hose

### Product Data - 24" Open Hose Reels Air

Art.no.	Hose length [m] (ft)	Dim. (IDxOD) [mm]	Conn.	WP [bar] (psi)	Weight [kg]
19 911 3152	23 (75)	13x18	BSPT 1/2"	10 (145)	28
19 911 3153	30 (100)	13x18	BSPT 1/2"	10 (145)	32
19 911 3157	23 (75)	13x18	1/2" NPT	10 (145)	28
19 911 3158	30 (100)	13x18	1/2" NPT	10 (145)	32
19 911 3162	23 (75)	16x21	BSPT 3/4"	10 (145)	28
19 911 3167	23 (75)	16x21	3/4" NPT	10 (145)	28
19 911 3171	15 (50)	19x24	BSPT 3/4"	10 (145)	27
19 911 3176	15 (50)	19x24	3/4" NPT	10 (145)	27

#### Technical Data:

Hose material: Braided PUR (ester based)  
 Connection: male thread  
 Temperature range: -20°C - +60°C (-4°F - +140°F)  
 Sealing material: NBR



Scale	1 : 7	Drawn	CABANLA	Checked	LHE	Appr.	JOOL	ECO	11855	Date	2018-01-12
Drawing No.							509119904		Issue	Sheet	AA 1/(1)

Assembly Drawing