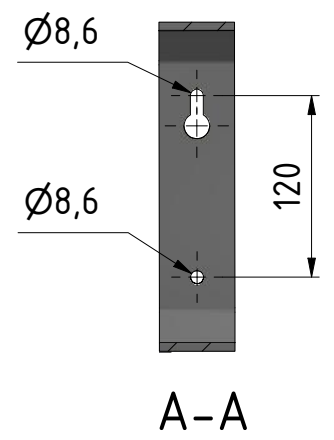
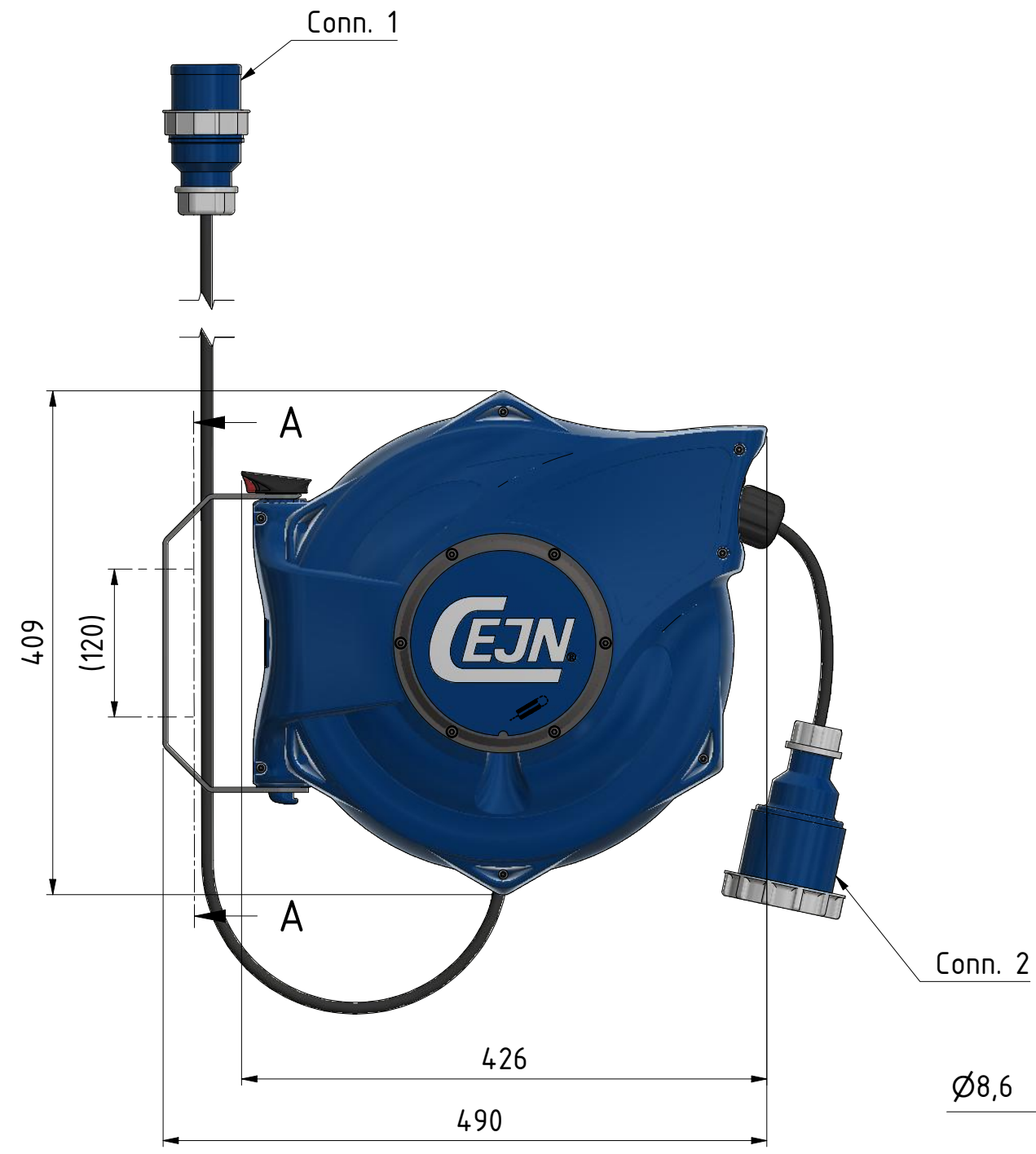


This document must not be copied, either completely or in part, without permission. Any infringement will have legal consequences ©



Technical Data:

Connection 1:	Plug IP67 230V, 3 poles
Connection 2:	Connector IP67 230V, 3 poles
Connection cable length:	1,1m (Free length 0,8m)
Cable type:	H07RN-F 3x1,5mm ²
Connection voltage:	~250V
Maximum Load (Retracted):	1600 Watt @ 240V~ (7A)
Maximum Load (Extended):	2400 Watt @ 240V~ (10A)
Insulation Class:	IP65
Temperature range:	-10°C - +50°C (41°F - +122°F)

	Scale	1 : 5	Drawn	CABANLA	Checked	JOOL	Appr.	OG	ECO	Date	2019-08-26		
	Medium Reels Electrical							Drawing No.		509112312	Issue	AA	Sheet