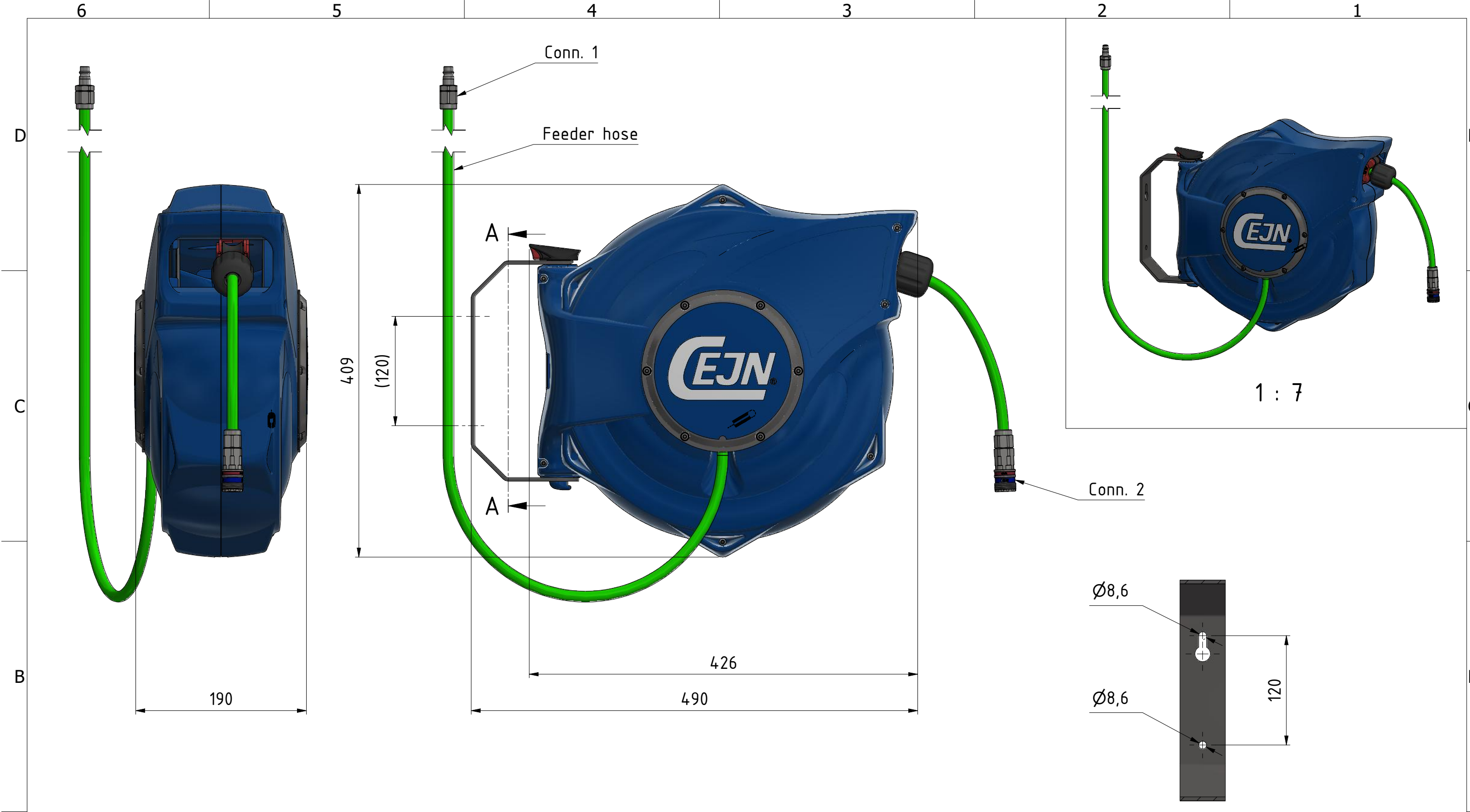
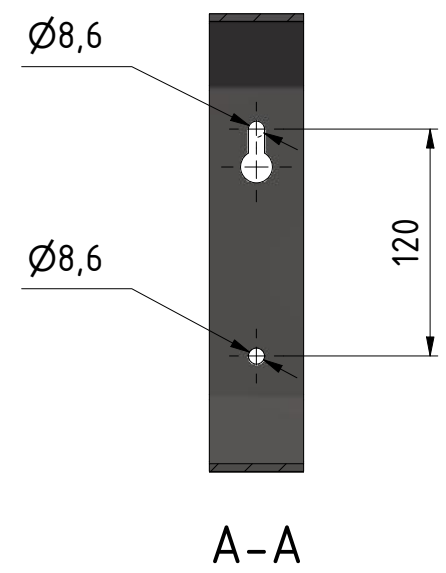


This document must not be copied, either completely or in part, without permission. Any infringement will have legal consequences ©



Product No.	199112188 - Medium Reel Hi-vis
Hose dim. (ID x OD):	8x12 mm
Hose length:	17 m
Feeder hose length:	1,5 m
Hose material:	Braided PUR (ester based)
Temperature range:	-20°C - +60°C
Connection 1:	320-nipple
Connection 2:	eSafe 320
Sealing material:	NBR
Max WP Connected:	16 bar
Weight:	6,5 kg



	Scale	1 : 4	Drawn	MATJOH	Checked	ANLA	Appr.	JOOL	ECO	Date	2022-07-20
	Assembly Drawing 509112188								Issue	AB	Sheet

A3