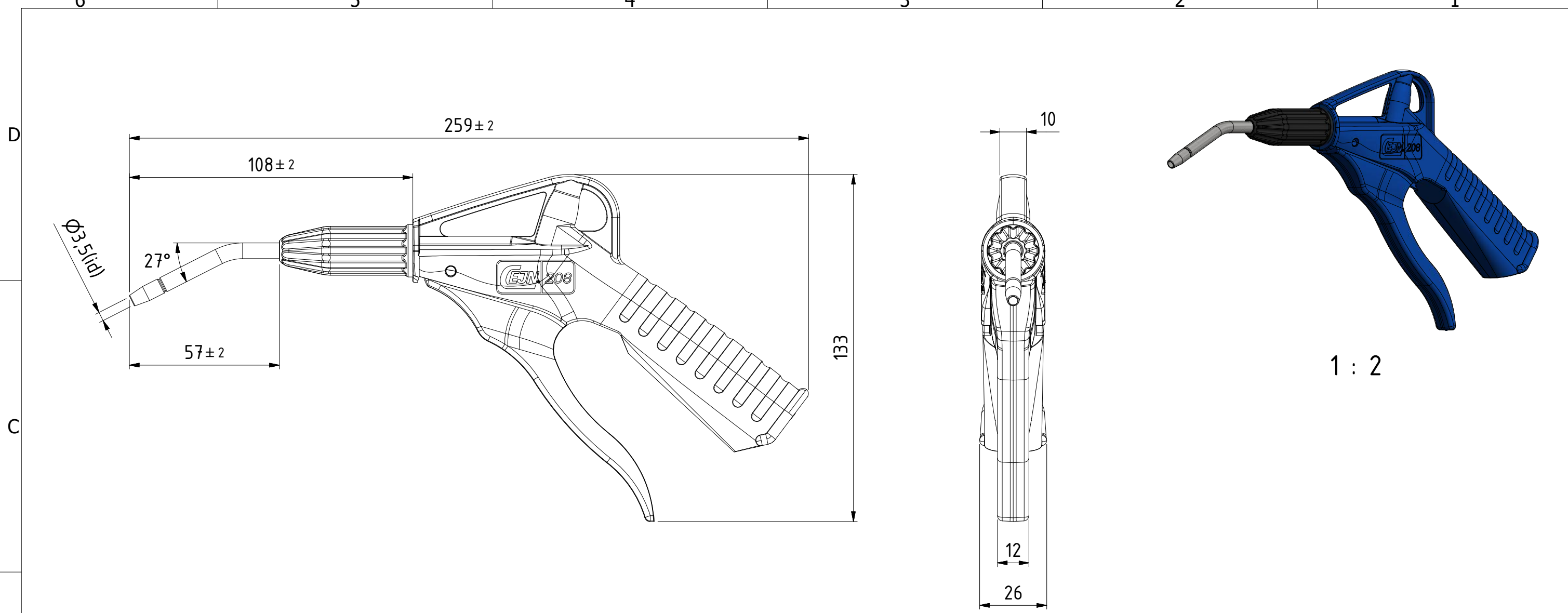


This document must not be copied, either completely or in part, without permission. Any infringement will have legal consequences ©



| | |
|--------------------|---------------|
| Product No. | 112080300 |
| Nominal flow Ø DN: | mm |
| Connection Stroke: | mm |
| Max WP Connected: | 16 bar |
| Min BP Connected: | 64 bar |
| Temperature range: | -20°C - +60°C |
| Connection: | Rc 1/4" fem |
| Sealing material: | NBR |
| Hexagon: | |

| Item | Qty | Description | Material |
|------|-----|-------------|-----------------|
| 15 | 1 | Spring | Stainless steel |
| 14 | 1 | O-ring | NBR |
| 13 | 1 | Lip seal | NBR |
| 12 | 1 | Valve | Plastic |
| 11 | 1 | Tube | Brass, Ni5b |
| 10 | 1 | O-ring | NBR |
| 9 | 1 | Handle | Plastic |
| 8 | 1 | Cap | Plastic |
| 7 | 1 | Lip seal | PUR |
| 6 | 1 | O-ring | NBR |
| 5 | 1 | O-ring | NBR |
| 4 | 1 | O-ring | NBR |
| 3 | 1 | Bushing | Brass |
| 2 | 1 | Valve | Brass, Ni5b |
| 1 | 1 | Body | Plastic |

| | | | | | | | | | | | | |
|--|-----------------------------------|-------|-------|---------|---------|-----|-------|------|-------|------|-------|------------|
| | Scale | 2 : 3 | Drawn | CABJOTU | Checked | LHE | Appr. | JOOL | ECO | 8779 | Date | 2019-01-10 |
| | Assembly Drawing 502080300 | | | | | | | | Issue | AB | Sheet | 1 / (1) |

A3