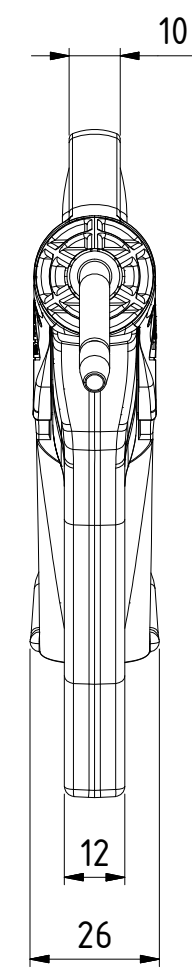
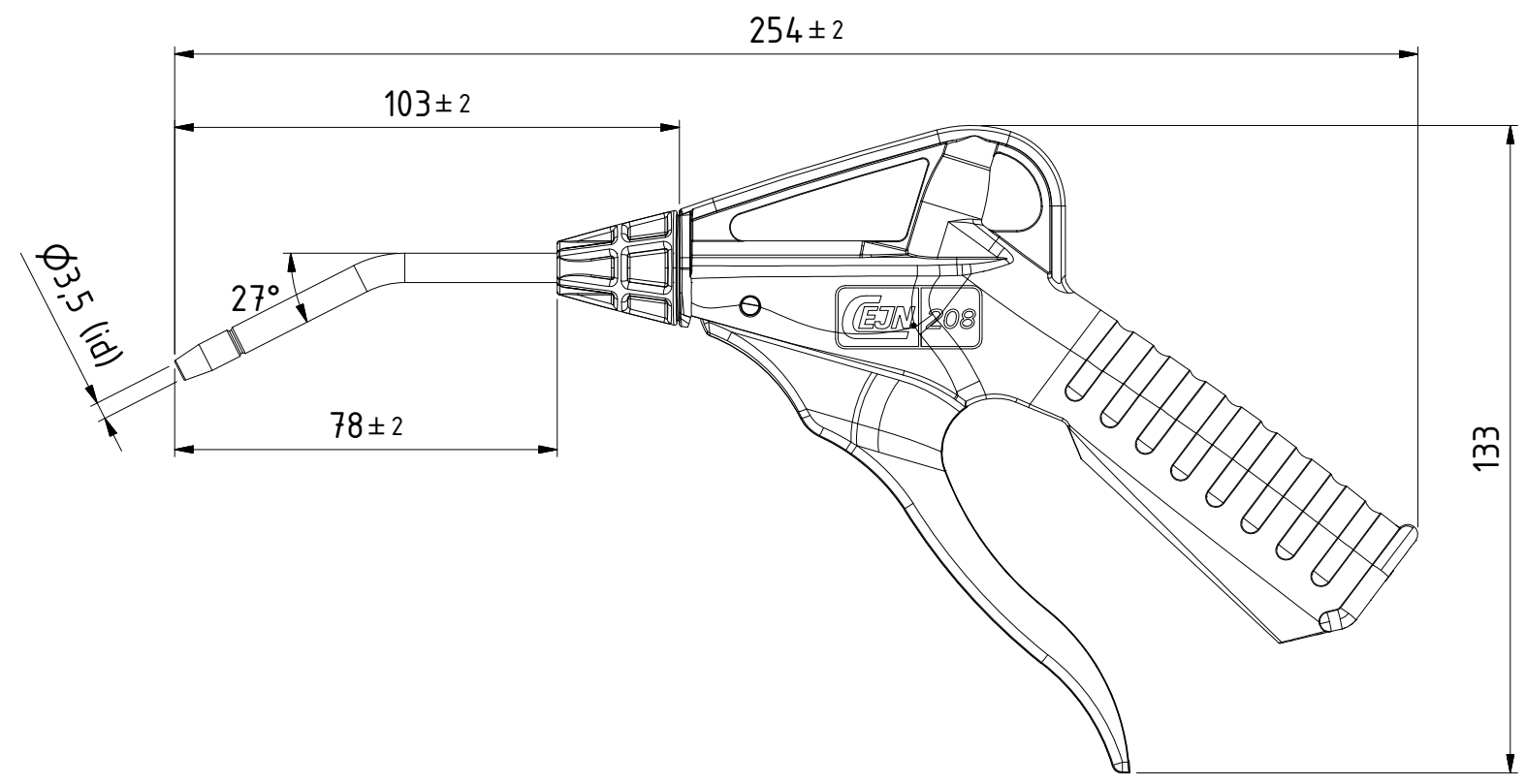


This document must not be copied, either completely or in part, without permission. Any infringement will have legal consequences ©



1 : 2



Product No.	112080100
Nominal flow Ø DN:	mm
Connection Stroke:	mm
Max WP Connected:	16 bar
Min BP Connected:	64 bar
Temperature range:	-20°C - +60°C
Connection:	Rc 1/4" fem
Sealing material:	NBR
Hexagon:	

Item	Qty	Description	Material
7	1	Tube	Brass, Ni5b
6	1	O-ring	NBR
5	1	Lip seal	NBR
4	1	Valve	Plastic
3	1	Handle	Plastic
2	1	Spring	Stainless steel
1	1	Body	Plastic

	Scale	2 : 3	Drawn	CABJOTU	Checked	LHE	Appr.	JOOL	ECO	Date	2018-09-25
	Assembly Drawing 502080100								Issue	AC	Sheet

A3