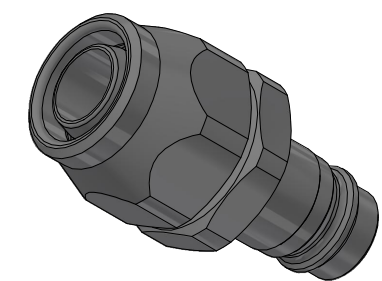
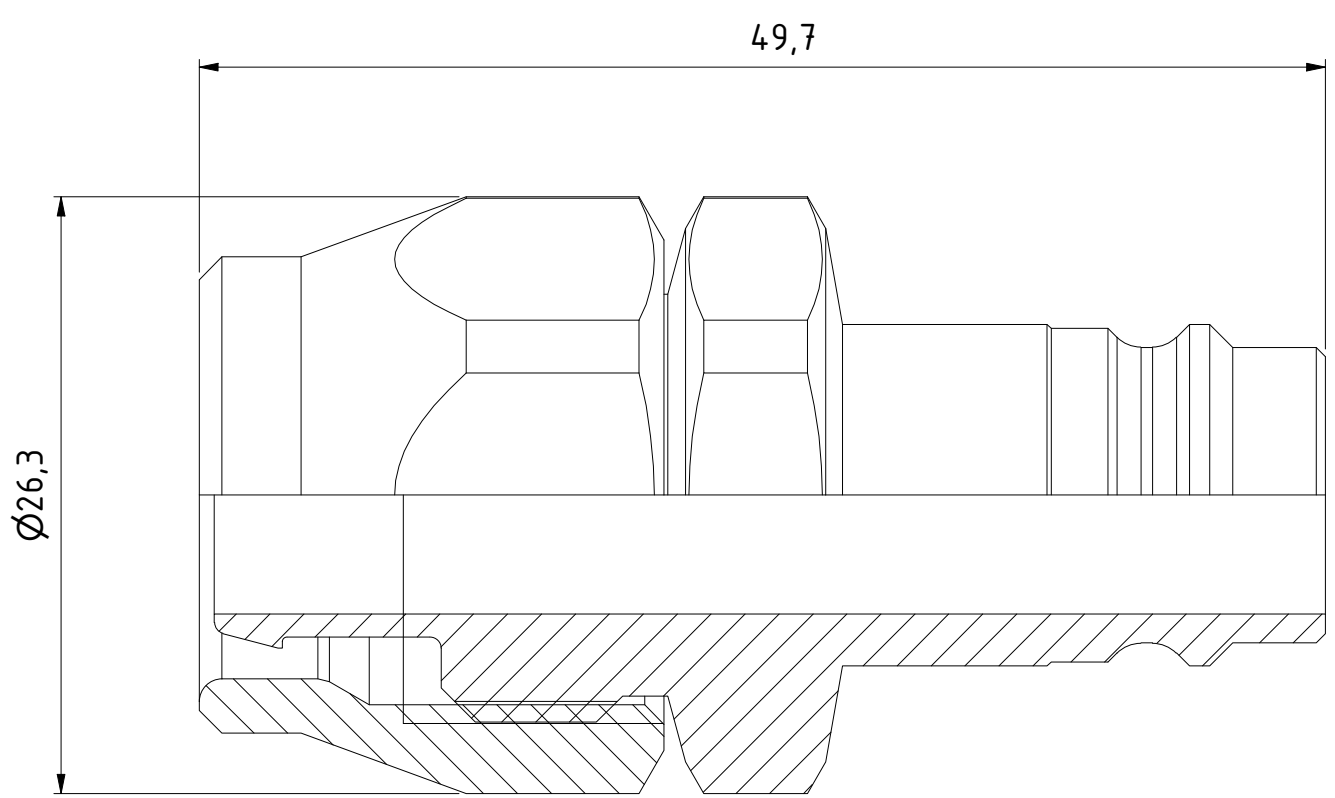


This document must not be copied, either completely or in part, without permission. Any infringement will have legal consequences ©



1 : 1

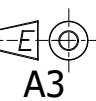


Product No.	104105066
Nominal flow Ø DN:	10,5 mm
Connection Stroke:	mm
Max WP Connected:	12 bar w. CEJN braided PUR hose
Min BP Connected:	48 bar w. CEJN braided PUR hose
Temperature range:	-20°C - +100°C
Connection:	Stream-line 11x16
Sealing material:	NBR
Hexagon:	24 (2x)

2	1	Swivel nut 11x16	Steel, Zn 8 Silver
1	1	Nipple body 11x16	Hard. Steel, Zn 8 silver
Item	Qty	Description	Material
		Scale 3 : 1	Drawn CABANLA
		Checked JOTU	Appr. JOOL
		ECO 12833	Date 2020-03-16
Drawing No. 104105066			Issue A
Sheet 1 / (1)			



Assembly Drawing 104105066



A3