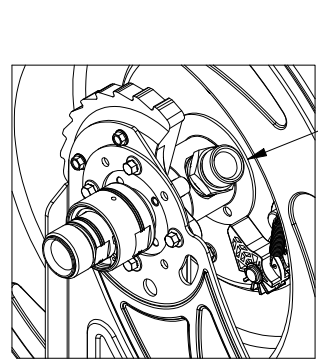
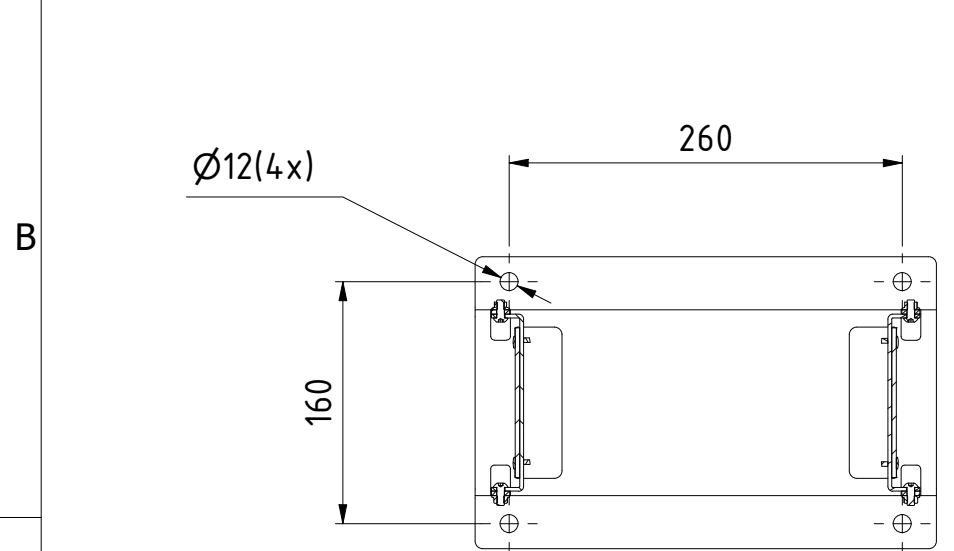
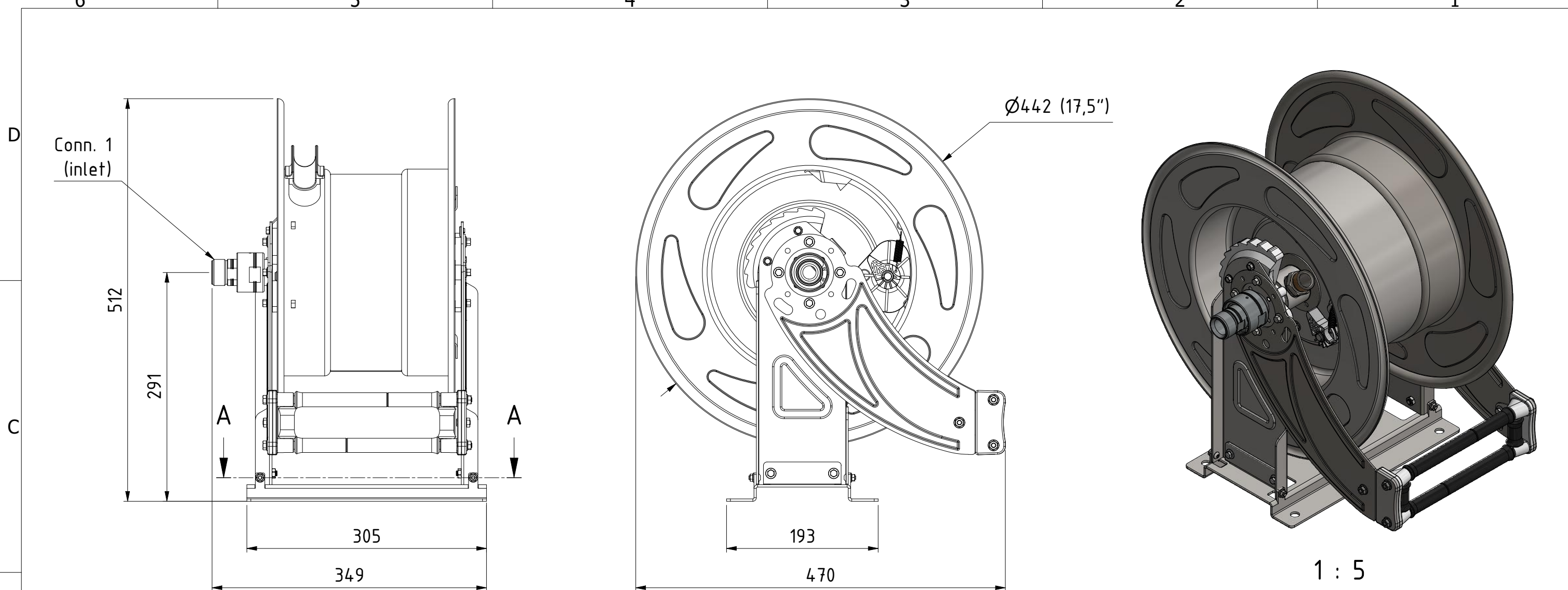


This document must not be copied, either completely or in part, without permission. Any infringement will have legal consequences ©



Technical Data:
 Max temperature: 150°C
 Sealing material: Viton
 Reel material: AISI 316
 Delivered without hose - maximum capacity 60bar 3/4" 20m

Product Data - Stainless Steel Hoseless Reels (Wash Down)

Art.no.	Conn. 1 (inlet)	Conn. 2 (outlet)	WP [bar] (psi)	Weight [kg]
19 913 2200	G 1" (fem)	R 3/4" (male)	40(580)	25



Scale 1 : 5	Drawn CABLHE	Checked JOOL	Appr. OG	ECO 000984	Date 2021-08-11
Drawing No. 509139909				Issue AA	Sheet 1 / (1)

