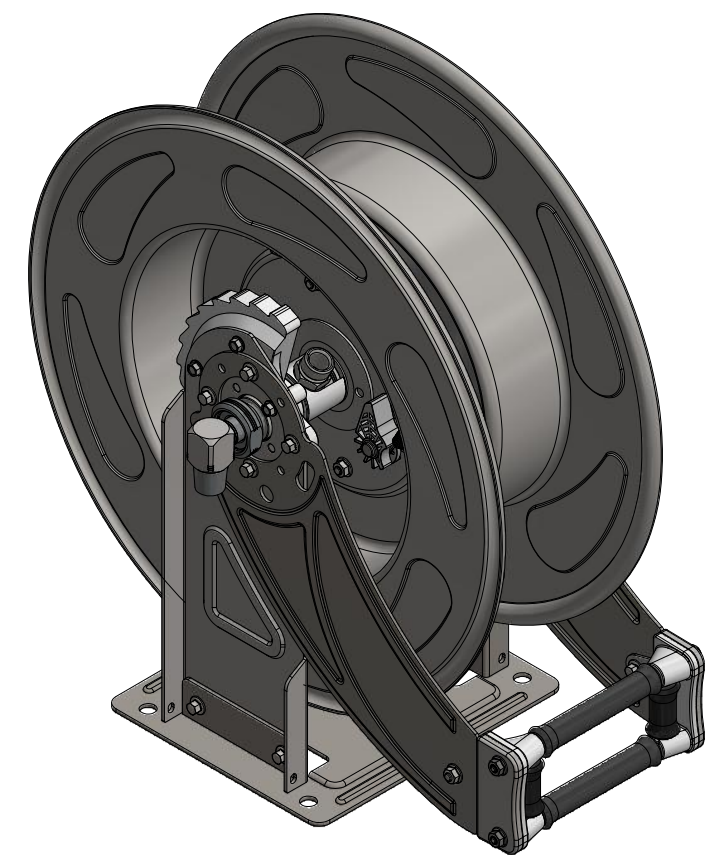
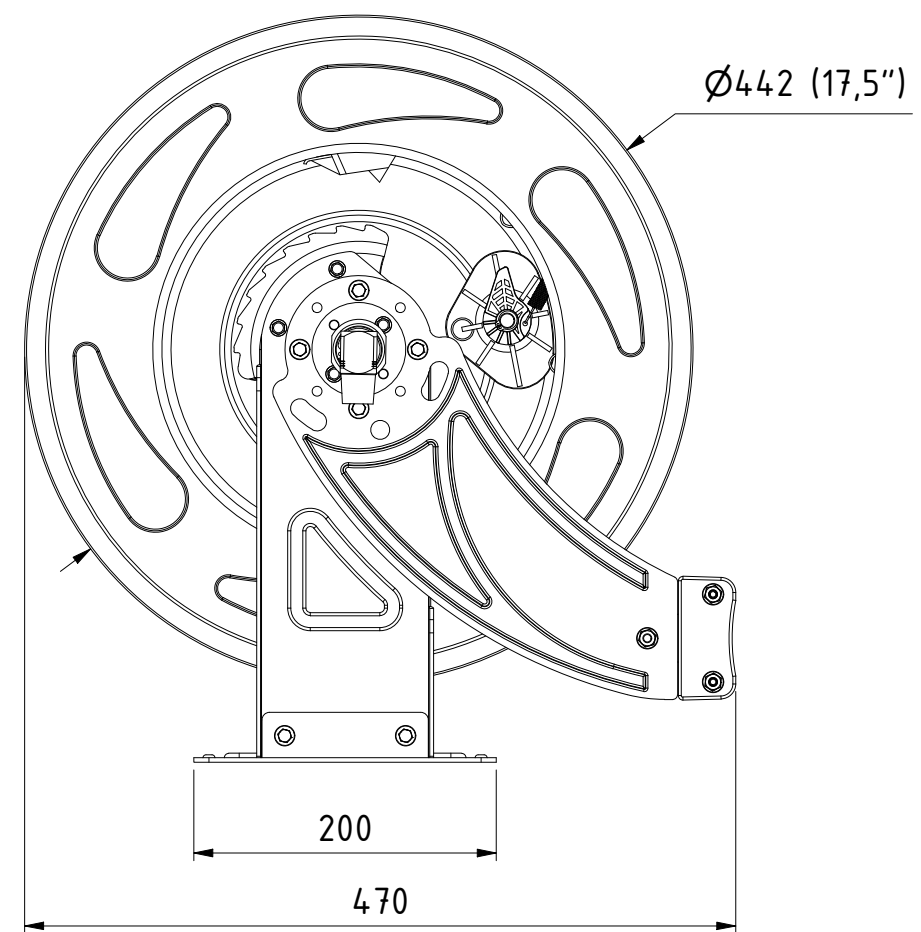
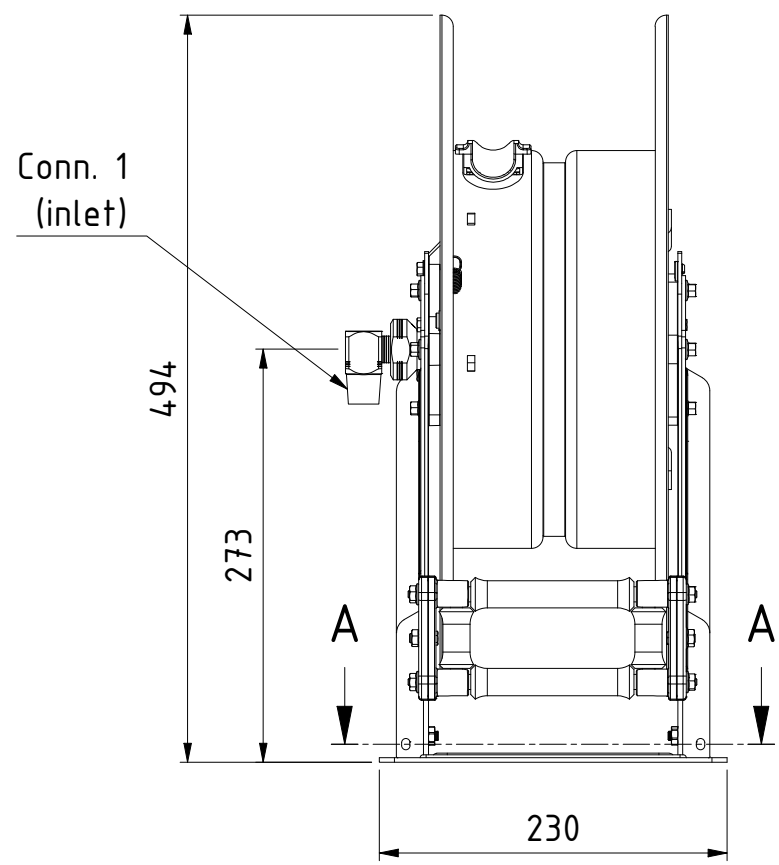
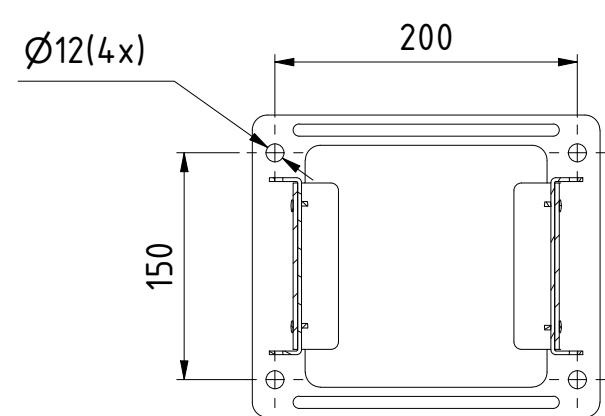


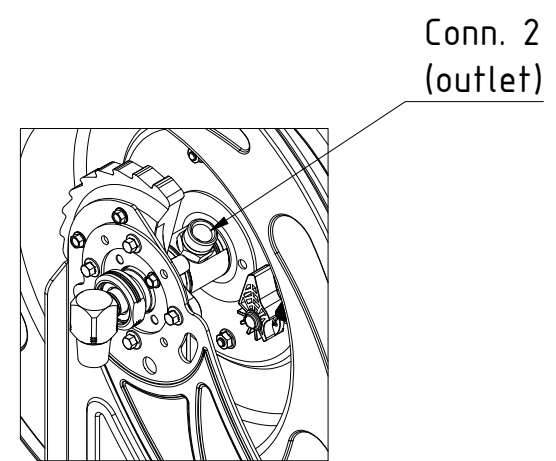
This document must not be copied, either completely or in part, without permission. Any infringement will have legal consequences ©



1 : 5



A-A



Technical Data:
 Max temperature: 150°C
 Sealing material: Viton
 Reel material: AISI 316
 Delivered without hose - maximum capacity 400 bar 1/2" 20m

Product Data - Stainless Steel Hoseless Reels (Wash Down)

Art.no.	Conn. 1 (inlet)	Conn. 2 (outlet)	WP [bar] (psi)	Weight [kg]
19 913 2100	R 1/2" (male)	R 1/2" (male)	400(5800)	24



Scale	Drawn	Checked	Appr.	ECO	Date
1 : 5	CABLHE	JOOL	OG	000984	2021-08-11
Drawing No.				Issue	Sheet
509139906				AA	1 / (1)

A3