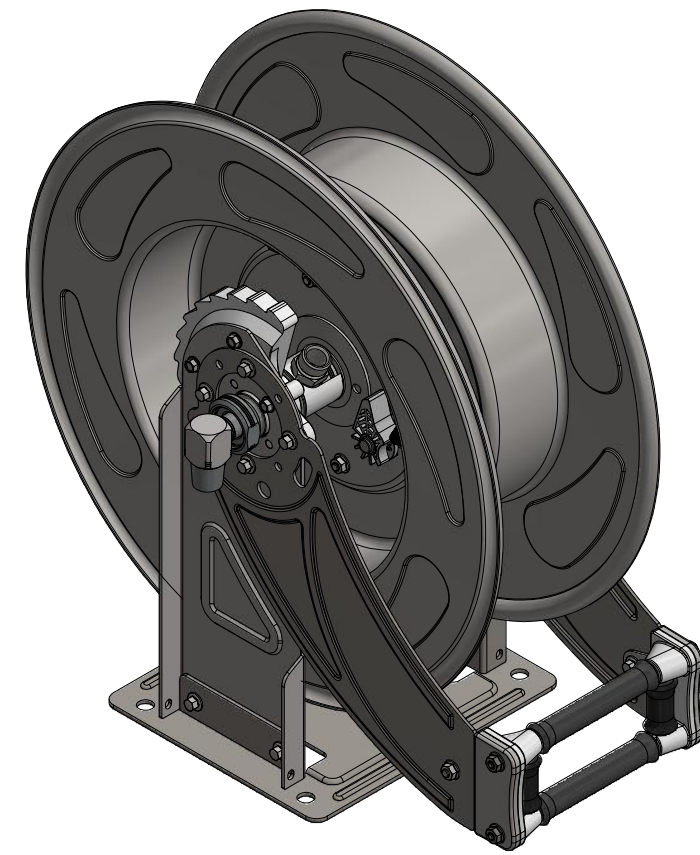
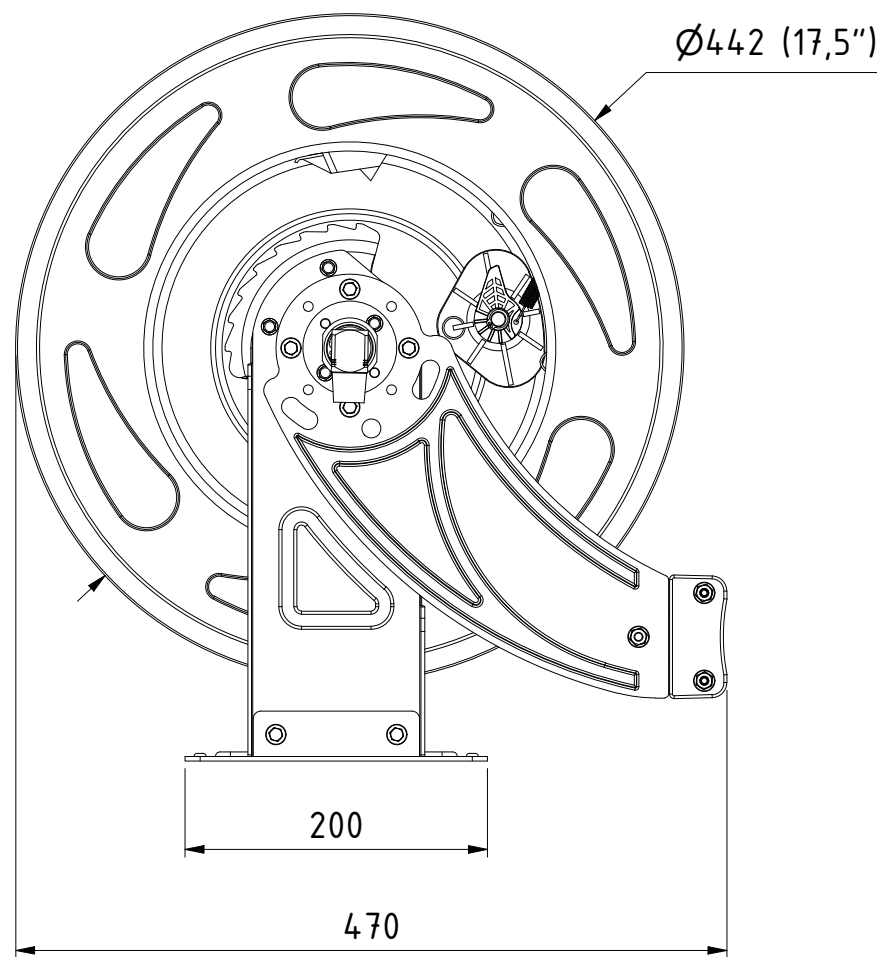
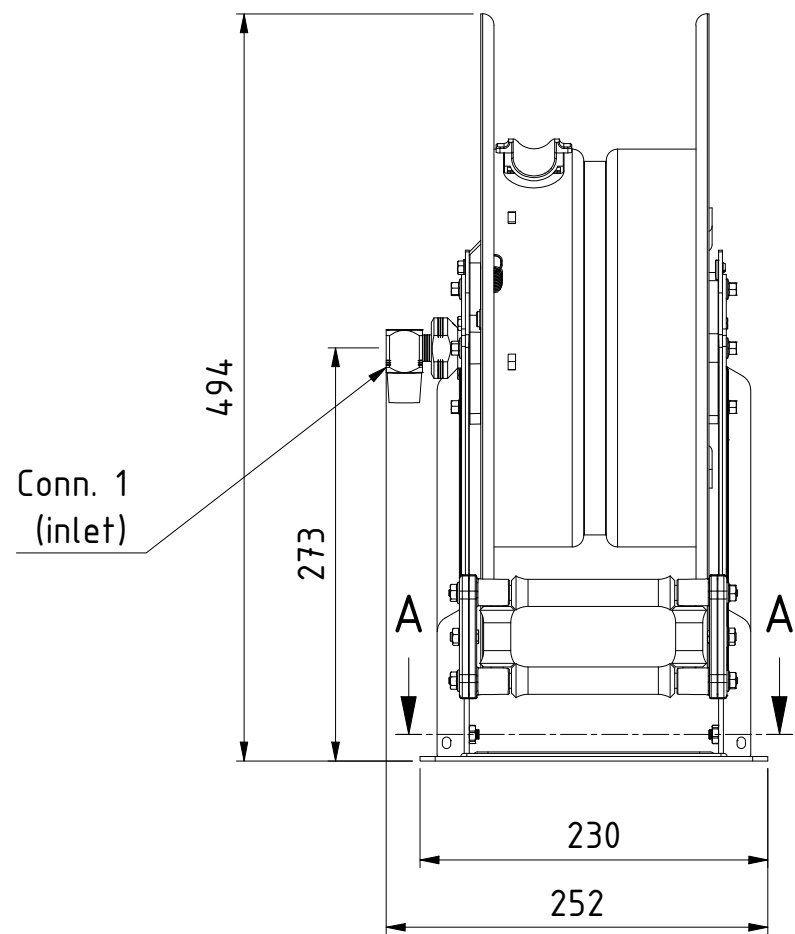
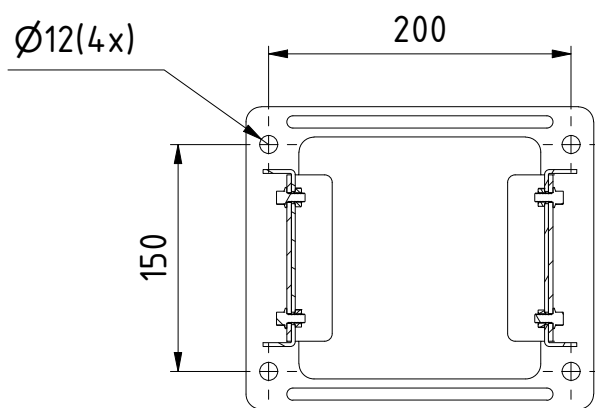


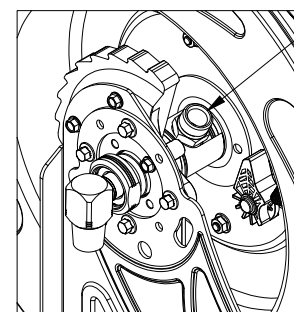
This document must not be copied, either completely or in part, without permission. Any infringement will have legal consequences ©



1 : 5



A-A



Conn. 2 (Outlet)

Technical Data:

Max water temperature: 100°C

Sealing material: Viton

Reel material: AISI 304

Delivered without hose - maximum capacity 3/4" 15m

Product Data - Stainless Steel Hoseless Reels (Wash Down)

Art.no.	Conn. 1 (inlet)	Conn. 2 (outlet)	WP [bar] (psi)	Weight [kg]
19 913 1106	G 1" fem	G 3/4" male+nipple 90 grader hose barb 19mm	15(217)	21,5



Scale 1 : 5	Drawn CABLHE	Checked JOOL	Appr. OG	ECO 000984	Date 2021-07-05
Drawing No. 509139903				Issue AA	Sheet 1 / (1)

