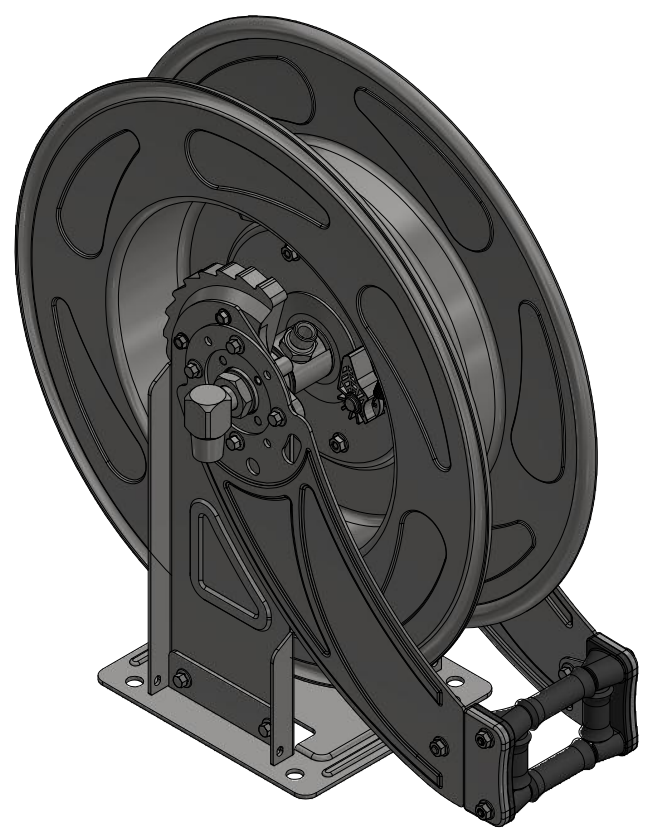
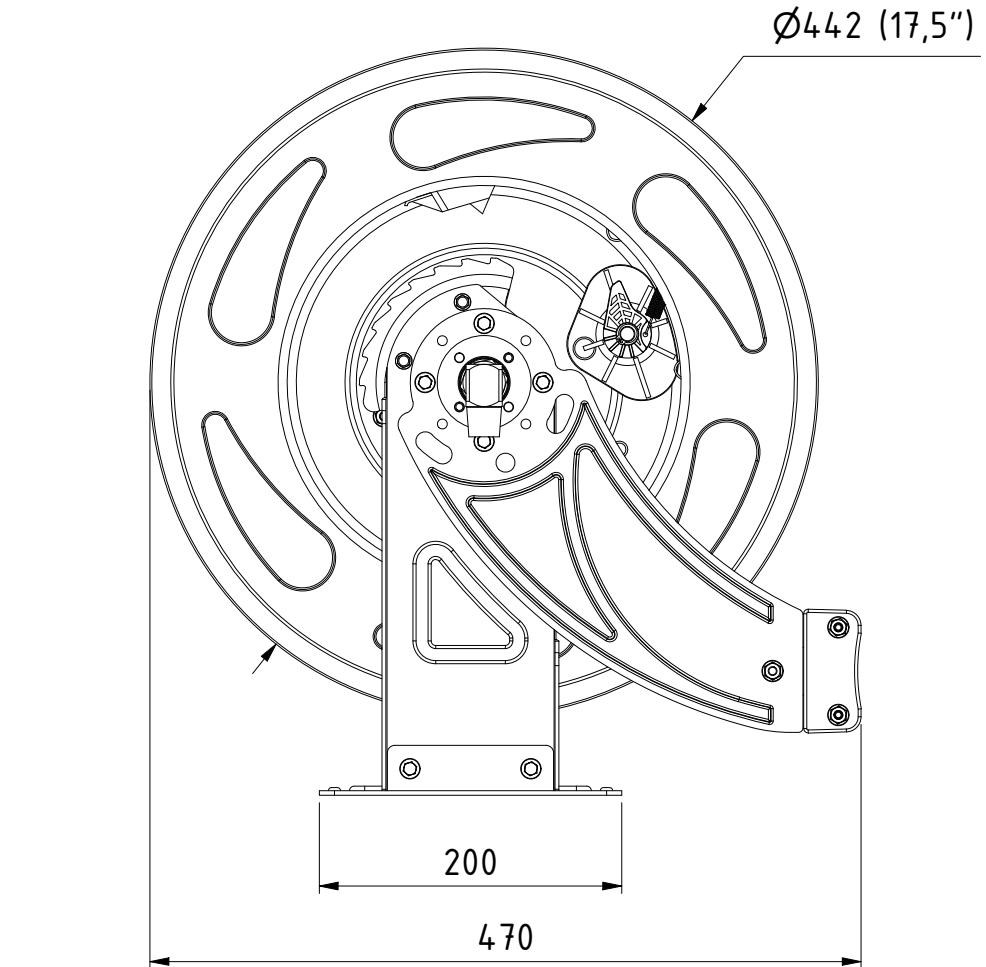
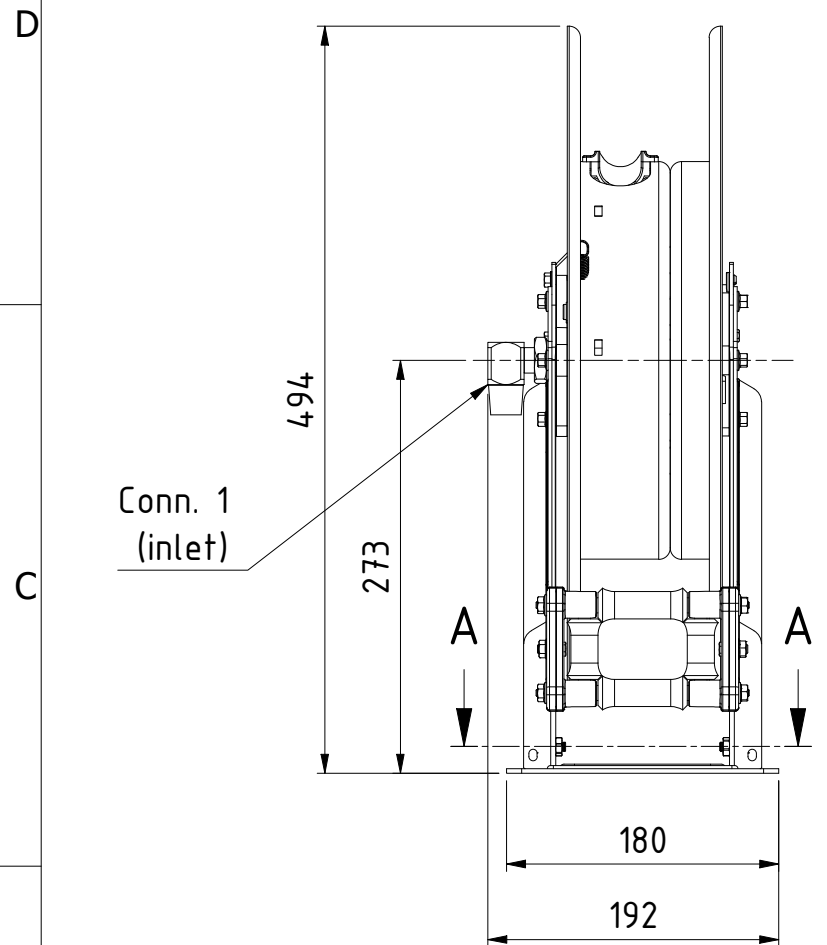
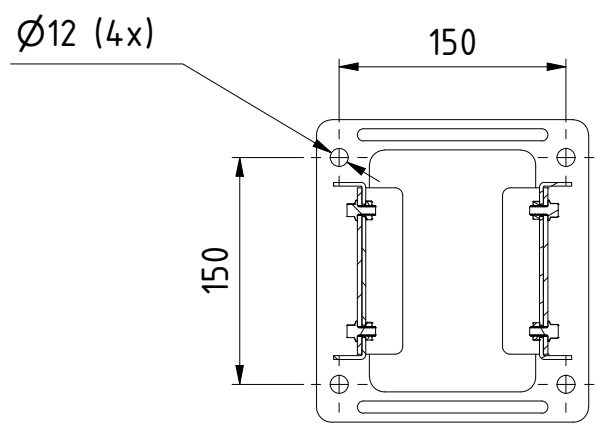


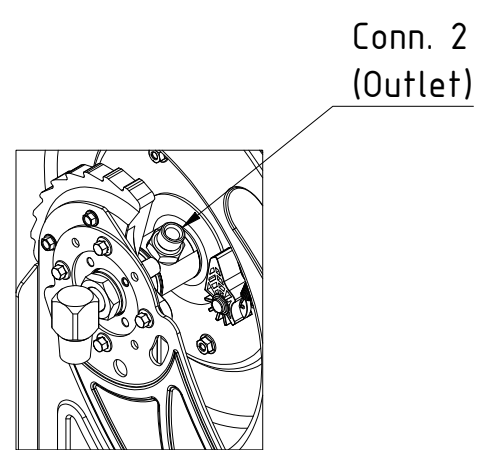
This document must not be copied, either completely or in part, without permission. Any infringement will have legal consequences ©



1 : 5



A-A



Technical Data:
 Max water temperature: 100°C
 Sealing material: Viton
 Reel material: AISI 304
 Delivered without hose - maximum capacity 1/2" 15m

Product Data - Stainless Steel Hoseless Reels (Wash Down)

Art.no. 19 913 1000	Conn. 1 (inlet) R 1/2" (male)	Conn. 2 (outlet) G 1/2" (male)	WP [bar] (psi) 40(580)	Weight [kg] 15,5
------------------------	----------------------------------	-----------------------------------	---------------------------	---------------------



Scale 1 : 5	Drawn CABLHE	Checked JOOL	Appr. OG	ECO 000984	Date 2021-07-07
Drawing No. 509139901				Issue AA	Sheet 1 / (1)

A3