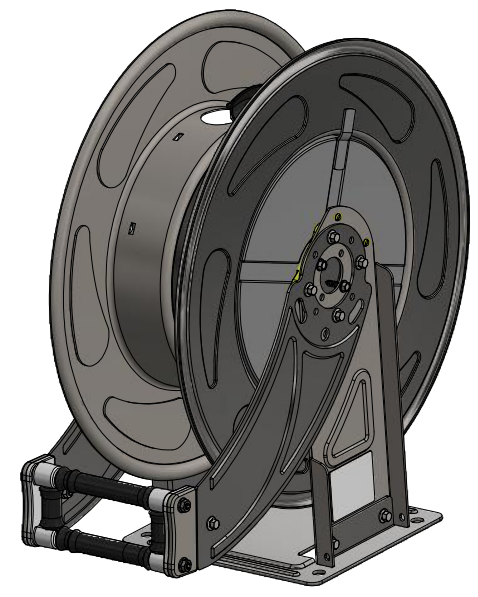
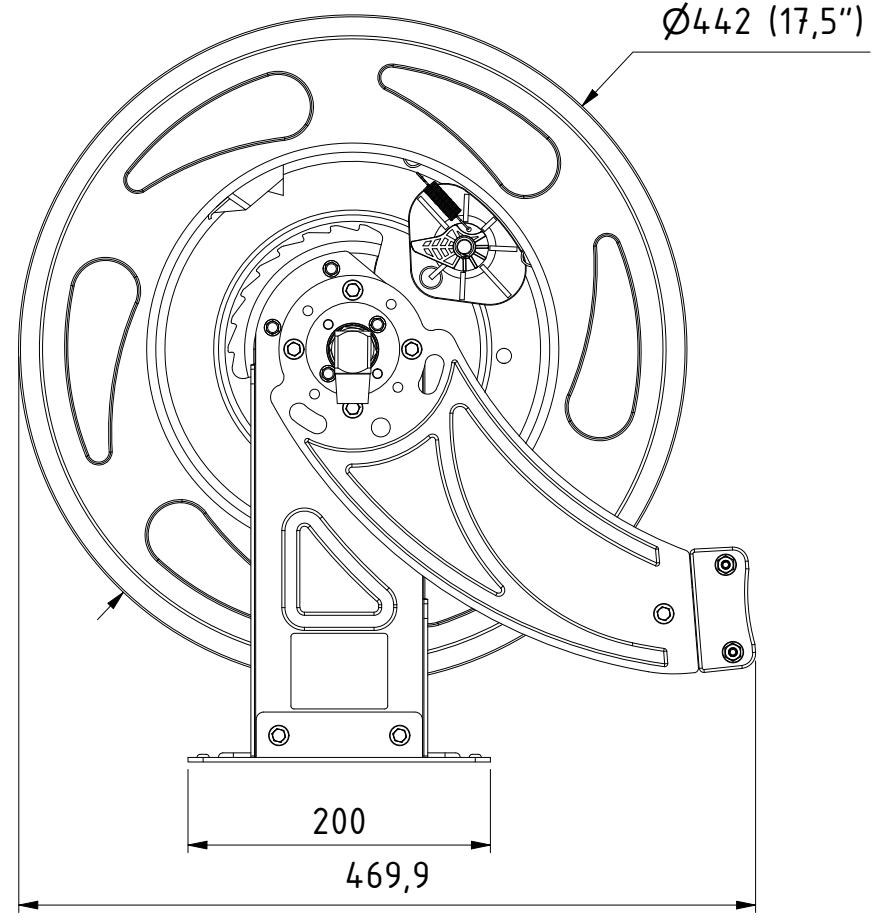
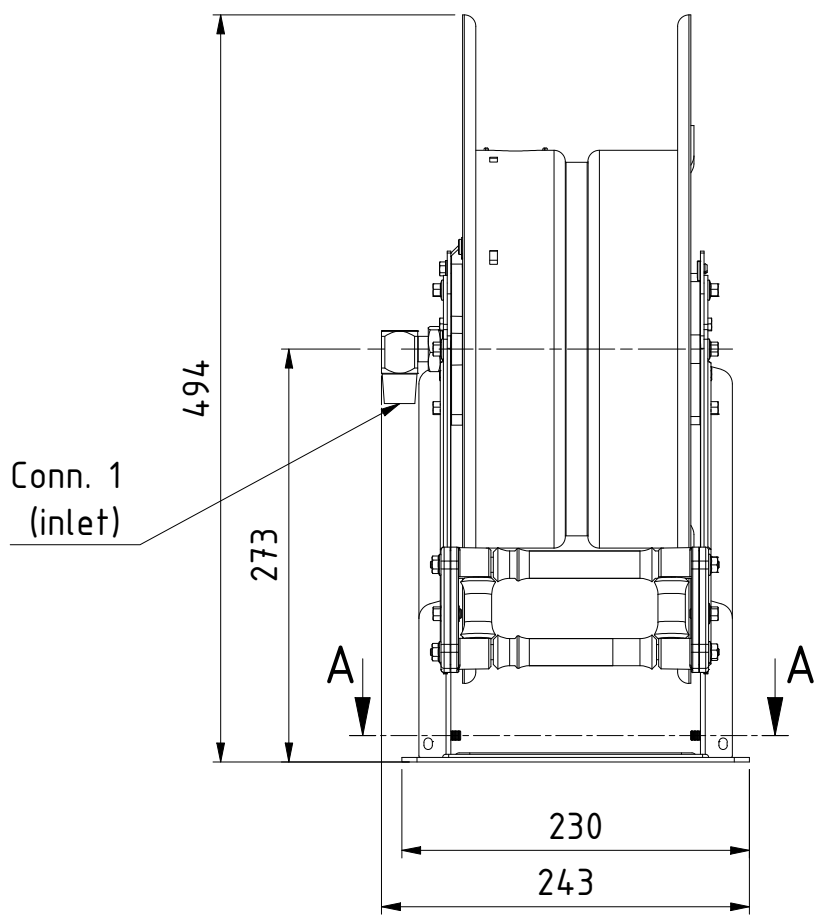
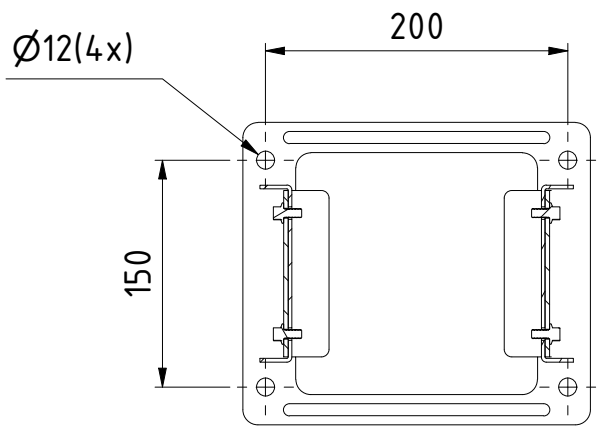


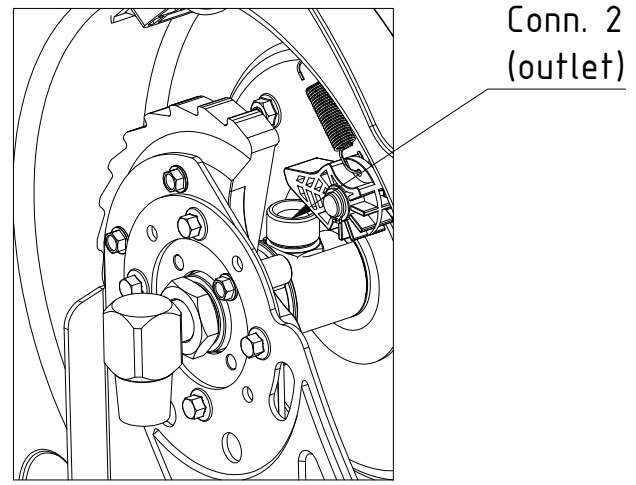
This document must not be copied, either completely or in part, without permission. Any infringement will have legal consequences ©



1 : 7



A-A



**Technical Data:**  
 Max water temperature: 100°C  
 Sealing material: Viton  
 Reel material: AISI 304  
 Delivered without hose

**Product Data - Stainless Steel Hoseless Reels (Wash Down)**

Art.no.	Conn. 1 (inlet)	Conn. 2 (outlet)	WP [bar] (psi)	Weight [kg]	Max capacity 1/2" [m]
19 913 1100	R 1/2" (male)	G 1/2" (male)	40(580)	20	20
19 913 1109	R 1/2" (male)	G 1/2" (male)	40(580)	20	25



Scale	1 : 5	Drawn	CABANLA	Checked	LHE	Appr.	JOOL	ECO	Date	2022-02-09
Drawing No.							509131100		Issue	Sheet
Assembly Drawing							509131100		AB	1/(1)

A3