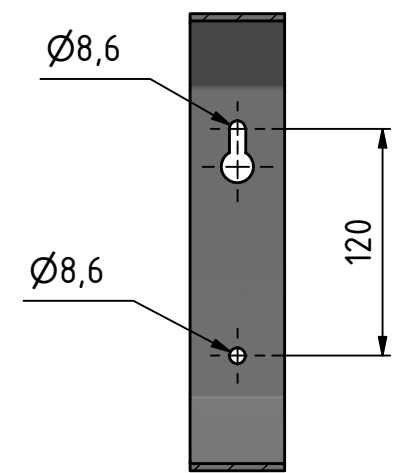
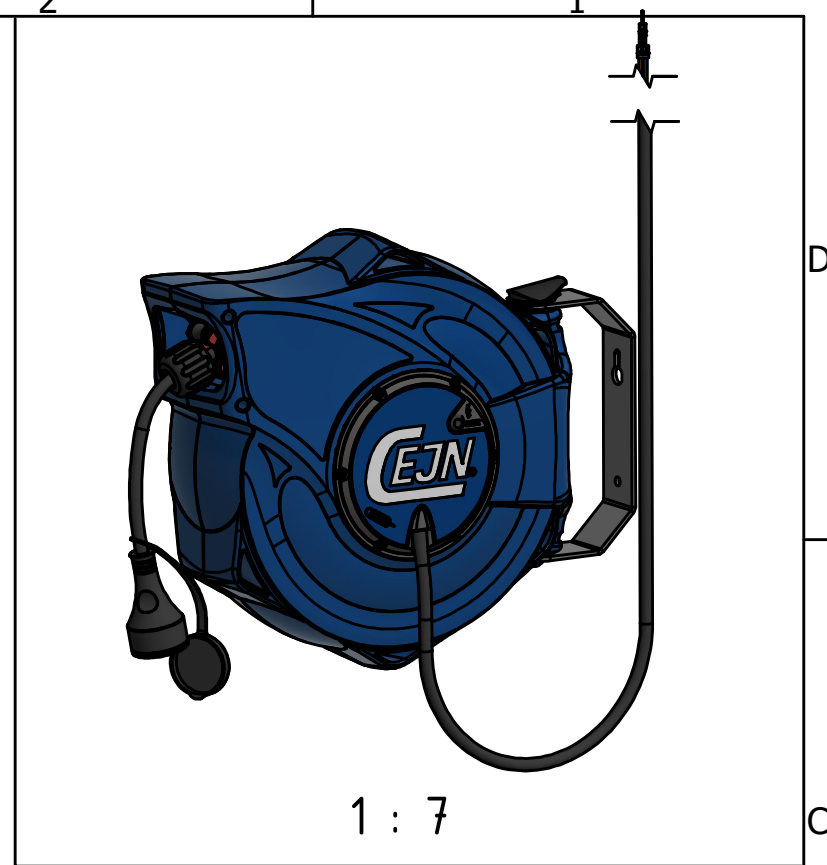
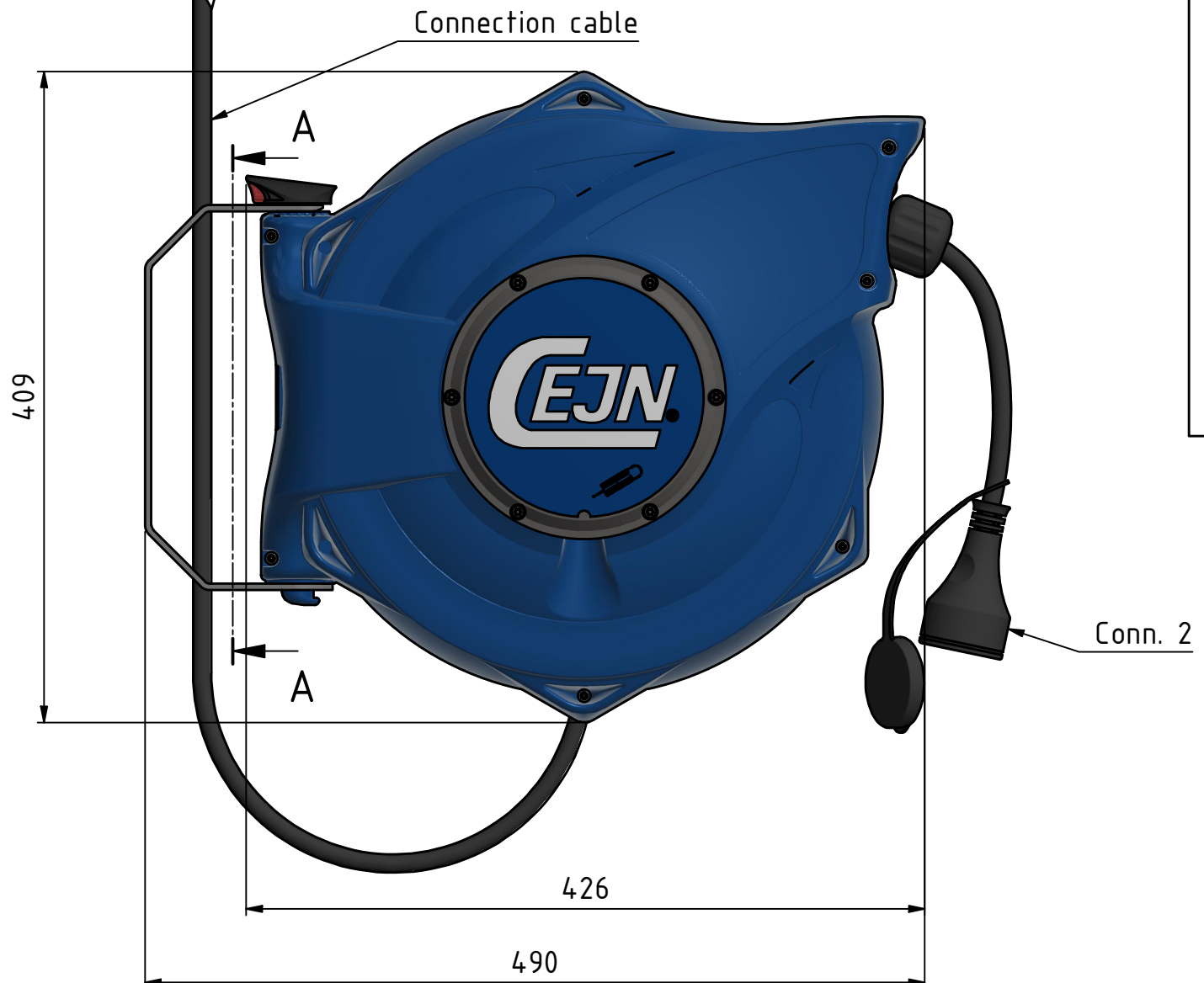
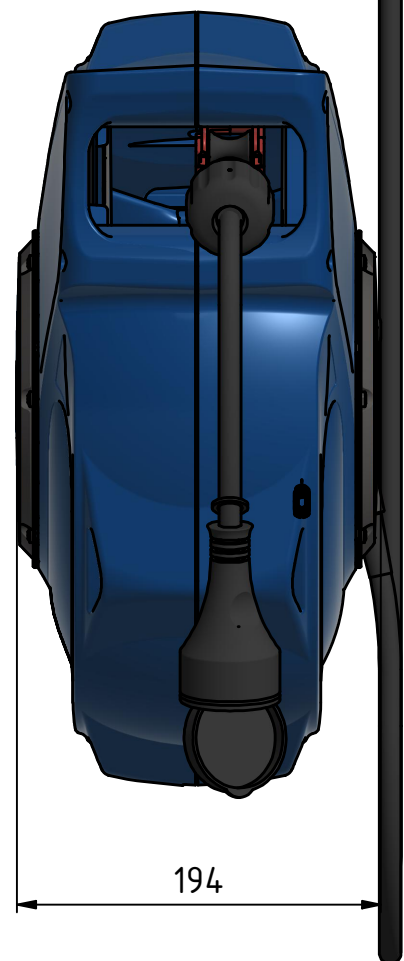


This document must not be copied, either completely or in part, without permission. Any infringement will have legal consequences ©



A-A

Technical Data:

Connection cable length:	1,25m (H05RR-F 3x2,5mm ²)
Reel Cable:	H07RN-F 3x2,5mm ²
Connection voltage:	~250V
Maximum Load (Retracted):	2400 Watt @ 240V~ (10A)
Maximum Load (Extended):	3500 Watt @ 240V~ (15A)
Insulation Class:	IP44
Temperature range:	-10°C - +50°C (41°F - +122°F)

Product Data - Medium Reels Electrical - 2,5mm ²				
Art.no.	Cable length	Conn. 1	Conn. 2	Weight (kg)
19 911 2325	17m	3x2,5mm ²	IP44 E-plug	8,2



Scale	1 : 4	Drawn	CABLIJA	Checked	ANLA	Appr.	JOOL	ECO	Date	2022-09-02
Drawing No.							509112325		Issue	Sheet
Assembly Drawing									AA	1 / (1)

